

Product Information



LEVINA

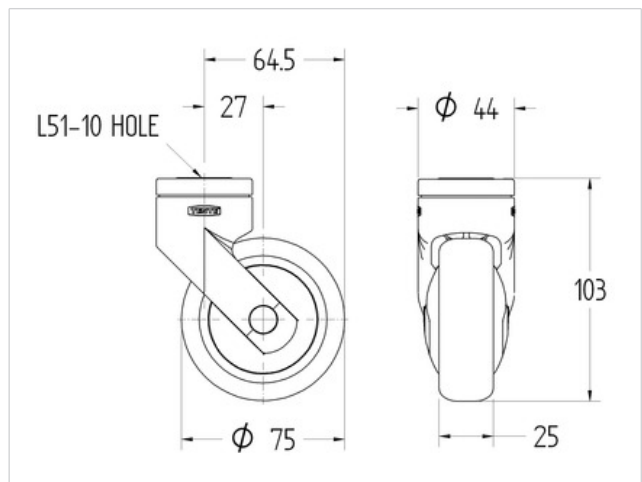
5320PJP075L51-10

EAN 4031582355000

Swivel castor, housing and wheels made from high grade synthetic materials, with integrated threadguards, with blind hole for furniture fittings. Wheel centre made of Polypropylene, Tread: TENTEprene (thermoplastic rubber), grey non-marking, precision ball bearing, with threadguards. The castor meets all requirements for EN 12530, except for swivel play.



Technical Data	
Wheel diameter	75 mm
Width of Tread	25 mm
Centre hole	10 mm
Offset	27 mm
Swivel Interference	129 mm
Overall height	103 mm
Temperature	- 10 / + 40 °C
Standard	EN 12530
Weight	0.154 kg
Swivel Radius	64.5 mm
Hardness of tread	A 87 Shore
Load capacity	75 kg
Load capacity (static)	150 kg



Roll performance	+	+	+	+	+
Movement noise	+	+	+	+	+
Attrition	+	+	+	+	+
Corrosion resistance	+	+	+	+	+



Product Information



LEVINA

5320PJP075L51-10

EAN 4031582355000

