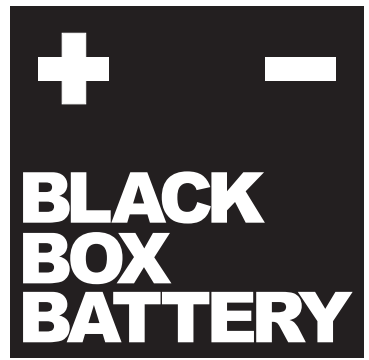


BBB2.9 12Volt 2.9Ah



SPECIFICATIONS

Nominal Voltage (V) **12V**

Nominal Capacity

20 hour rate	(0.06A to 10.50V)	2.9Ah
10 hour rate	(0.114A to 10.50V)	2.755Ah
5 hour rate	(0.204A to 10.20V)	2.465Ah
1 C	(1.2A to 9.60V)	1.643Ah
3 C	(3.6A to 9.60V)	1.16Ah

Weight Approx. **1.19g (2.62lbs)**

Internal Resistance (at 1KHz) Approx **33Ω**

Maximum Discharge Current for 5 seconds **43.5A**

Charging Methods at 25°C (77°F)

Cycle use:

Charging Voltage **14.4 to 15.0V**
 Coefficient -5.0mV/°C/cell

Maximum Charging Current **0.87A**

Standby use:

Float Charging Voltage **13.5 to 13.8V**
 Coefficient -3.0mV/°C/cell

Operating Temperature Range

Charge **-15°C (5°F) to 40°C (104°F)**

Discharge **-15°C (5°F) to 50°C (122°F)**

Storage **-15°C (5°F) to 40°C (104°F)**

Charge Retention (shelf life) at 20°C(68°F)

1 month	92%
3 month	90%
6 month	80%

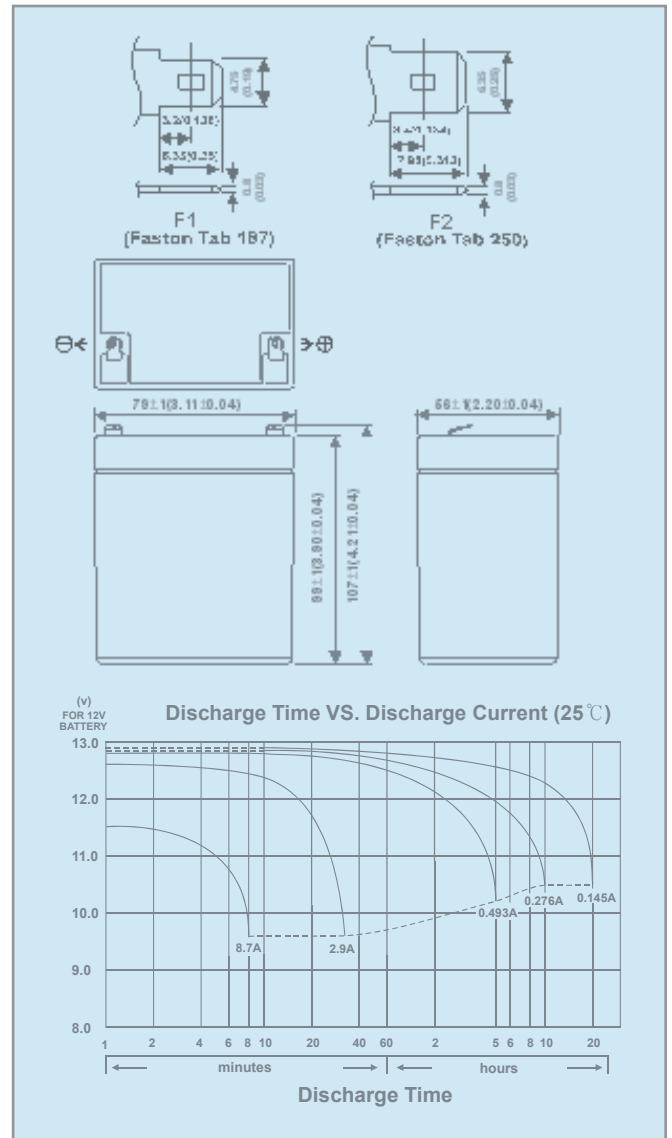
Case Material **ABS**

(Option: UL94 HB & UL94 V-0 flame retardant)

Terminal **F1 or F2 (Faston Tab 187 or 250)**

DIMENSIONS

mm(inch)



Flexel (UK) Ltd

Central House
 Top Station Road
 Brackley
 Northamptonshire
 NN13 7UG

Phone: +44 (0)1280 704141

Fax: +44 (0)1280 706373

email: sales@flexelmobility.com